



TECHNICAL DATA SHEET

KEIM FASSADENSPRITZGERÄT

With little manpower large façade areas can be easily coated using the Façade Paint Sprayer from KEIM. Independent from any power supply and with multi-purpose properties the investment costs will pay off quickly. Sprayer and nozzle are particularly solid and suitable for daily use.

KEIM Façade Sprayer is mainly suited for low-pressure spray application of the KEIM Purkristalat-Paint and for flooding with the fluid impregnation products KEIM Silangrund, KEIM Silan-100, KEIM Lotexan, KEIM Lotexan-N, KEIM Ecotec, KEIM Silex-OH-100 and KEIM Silex-OH.

KEIM PURKRISTALAT SPRAY APPLICATION

Base coat:

To be performed with a paint brush (KEIM Façade Brush).

Top coat:

With the KEIM Façade Sprayer.

Mixture:

30 kg (5 kg) KEIM Purkristalat-Colour-Powder soaked in 24 l (4 l) KEIM Fixativ.

Filling:

Unscrew the pump insert, plug on the funnel with sieve and fill with max. 15 l well-stirred paint. Screw the insert back and pressurize the sprayer to approx. 5 bars (72.5 psi). Pay attention to the red marking!

Set nozzle:

As standard the KEIM Sprayer is equipped with a so-called round-jet nozzle. By turning the adjusting screw at the end of the spray gun a funnel-shaped spray jet can be set which is for the paint application especially suited.

Spraying:

Apply the paint evenly over the base coat by using the spray gun with circular movements. A distance of approx. 40 cm (16 in.) between nozzle and substrate should be observed.

Cleaning:

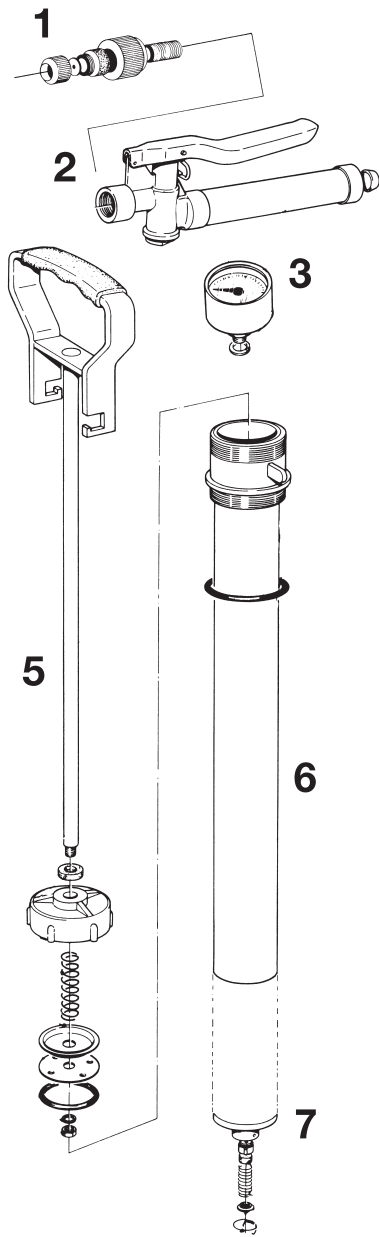
Simply with water. Rinse the tank with clear water immediately after use and empty completely. Grease the pump insert with grease or oil after use.

FLOODING WITH IMPREGNATION AGENTS.

CE-marking: EPS EN 13163-T2-L2. Pressure tank and hose must be totally free from water before filling with solvent-containing impregnation material. Therefore, rinse and flush the sprayer with white spirit first.



TECHNICAL DATA SHEET – KEIM FASSADENSPRITZGERÄT



Spare parts for the KEIM Façade Sprayer

- | | |
|-------|--|
| No. 1 | Complete nozzle head |
| No. 2 | Quick-closing valve completely mounted |
| No. 3 | Manometer up to max. 5 at |
| No. 4 | Safety valve * |
| No. 5 | Pump rod with handle and buffer completely mounted |
| No. 6 | Pump tube with check valve and, pump rod with handle and buffer completely mounted |
| No. 7 | Set of small parts:
1 Valve screw, 1 Valve spring,
1 Valve cone with plug, 5 O-rings*,
1 Worm drive clamp*,
3 Nozzle plates*, 2 Filters*,
3 Seals for nozzle head*. |
| No.8 | 3 m high pressure spray hose incl. screw connection* |
| No.9 | 10 m high pressure spray hose incl. screw connection* |
| No.10 | Funnel with sieve* |

* No illustration



KEIMFARBEN GMBH

Keimstraße 16 / 86420 Diedorf / Tel. +49 (0)821 4802-0 / Fax +49 (0)821 4802-210
 Frederik-Ipsen-Straße 6 / 15926 Luckau / Tel. +49 (0)35456 676-0 / Fax +49 (0)35456 676-38
www.keim.com/info@keimfarben.de